



RULES AND REGULATIONS

Show Dates: Friday and Saturday, October 29 and 30th, 2010
NDSU Equine Center, 5180 19th Ave. N., Fargo ND

Schedule of Events:

Thursday, October 28th : Horses will be allowed into the North Dakota Horse Park no earlier than 3:00 p.m.

The arena has been rented for competitors use after NDSU scheduled classes are completed on Thursday for the entire evening.

Friday, October 29^h Check-In: All sale colts and futurity horses are to present to the check-in station between 9am and 12:00 noon.

Exhibitor meeting 1:00 p.m. – in the arena.

All riders required to attend!

Futurity Show at 2:00 p.m.

Mane Event Social: 7pm – watch the catalog for location details!

Saturday, October 30th: Show will start at 9:00 a.m.
Sale to follow one hour after show

Please read all rules and regulations carefully. Class format has changed. All owners and riders are responsible to be familiar with these changes.

Rules 2010

PLEASE READ CAREFULLY

This futurity is run under NSBA rules, unless the Dakota 50/50 Sale and Futurity rules read otherwise: (NSBA rule book can be found at: <http://www.nsba.com/>)

GOALS OF THE BREEDERS ORGANIZATION

Purpose – to train and develop all horses in a humane manner, protecting at all times, their physical and mental personalities.

1. To promote a good moving, well broke individual whose conformation is correct and sound, and with eye appeal.

HORSES THAT RIDE, WORK, AND LOOK GOOD DOING IT

2. To promote a variety of breeds through their participation in the Sale & Futurity.
3. Provide an event that is enjoyable to the spectator.
4. Provide an event that is beneficial to the Dakota Horse Industry.

Summary: To promote kinder training methods, resulting in a more efficient horse and to establish a greater market for good riding horses – horses that have a soft mouth, respond to a light rein and have a comfortable head carriage.

SALE EXPLANATION

All weanlings selling in the sale will be eligible to compete in the Dakota 50/50 Futurity at 2 years of age.

50% of the selling price of the weanlings sold in the 50/50 Sale will be retained by the Dakota 50/50 Sale and Futurity and used as operating expenses, purse, & member/consignor awards in the 50/50 Futurity as follows:

50% of the selling price goes to the “MEMBER/CONSIGNOR”

40% of the selling price goes to the “FUTURITY PURSE”

5% of the selling price goes to the “MEMBER/CONSIGNOR AWARDS”

5% of the selling price goes to the Operating Expenses.



Attention Full-Time College Students: Any full-time college student that purchases a weanling at the 50/50 Sale will have the entry fees waived when they come back to show as the owner/rider (even if no longer going to school). Proof of full-time student status within 30 days of sale is required (unofficial transcript, current semester schedule of classes with advisor signature).

“Wildcard”

The first lot in the 2010 sale will be a “Wildcard”. The winning bidder for the “wildcard” lot will have his/her choice of *any* weanling in the sale. With no colt in the ring, the auctioneer will ask for bids on the “wildcard”. It will be auctioned in the same manner as every other foal in the sale, with the exception of the fact that, no one will know until the bidding is over and the winning bidder chooses his/her foal, which horse has actually been sold. That foal must be claimed immediately on winning the bid – and then would be removed from the catalog order. The sale will resume with the remainder of the consigned foals in catalog order.

FUTURITY EXPLANATION

The Dakota 50/50 Futurity is designed to promote quality horses. There will be one event consisting of three (3) equal parts or divisions in which points are totaled to achieve a **winner**.

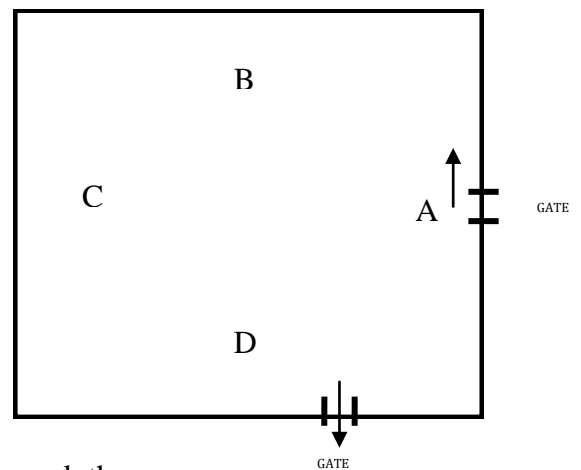
1. **CONFORMATION DIVISION** – *Emphasis* is to be placed on an individual that is conformationally *correct* and *sound* on all feet and legs. That is a balanced, smooth individual whose parts all blend together with eye appeal and the appearance of an athletic individual.

2. **RAIL DIVISION** – *designed to show a free and easy moving individual that is relaxed, ears alert, looks balanced and his way of going forward is bright as well as responsive to the rider at various gaits.* When asked to extend the jog, or may be asked to extend the lope, he moves out with the same smooth natural way of going. Rail work consists of the walk, jog and lope with the extension of the jog and possibly the lope, in either direction of the ring to be shown on a loose rein or light contact without undue restraint. **Judging will be based on the horses' overall performance and way of going, as well as its ability to hold the designated gait and correct leads.**

NEW: Rail Division will be done on individual basis – one horse performing at a time.

(These are the directions for completing the class only, not the criteria for judging.)

1. Enter ring @ gate A go to the right, continue at walk to cone B.
2. Jog $\frac{3}{4}$ arena on the rail to cone A.
3. Lope on L lead on the rail returning to cone A .
4. Stop at cone A.
5. Reverse at a walk and then jog.
6. Jog on the rail $\frac{1}{2}$ arena to cone C.
7. Extend the trot $\frac{1}{2}$ arena to cone A.
8. Walk at cone A $\frac{1}{4}$ arena to cone D.
9. Lope R lead on the rail returning to cone D.
10. Stop at cone D.
11. Back 5 steps and stop.



Scoring guide: The rail class will be judged **using scribes** to mark the scores.

Gaits and maneuvers to score from 0-10. Poor 0 - 2 $\frac{1}{2}$; Fair 2 $\frac{1}{2}$ - 5; Good 5 - 7 $\frac{1}{2}$; Excellent 7 $\frac{1}{2}$ - 10.

Penalties to be given for the following:

5 point penalty – refusal, bucking, kicking, rearing

10-point penalty – blatant disobedience, going off pattern

Dismissal – excessive abuse, horse or rider falling to the ground

WESTERN GAITS

A) THE WALK:

- 1) **Poor Walk:** Is a horse with an uneven pace and no cadence. It has a robot appearance and hesitates. It has no flow, and it may appear intimidated, or appear to march.
- 2) **Average Walk:** Is a horse with a four beat gait, a level top line, and appears relaxed. This done correctly is average.
- 3) **Good Walk:** Is a horse with a four beat gait, level top line, and a relaxed appearance yet is bright and attentive; it flows and is soft touching the ground.

B) THE JOG

- 1) **Extremely Poor Jog:** This is a horse that cannot perform a two beat gait and appears very uncomfortable in its attempt to accomplish the gait. It does not have any flow or balance in its motion and appears uncomfortable to ride.
- 2) **Very Poor Jog:** This is a horse that hesitates or skips a beat in its two beat motion. It does not keep an even and balanced motion with a level top line. A horse must have a true two beat gait to be average. This horse appears to shuffle.
- 3) **Poor Jog:** Is a horse with an average motion but exhibits negative characteristics in its performance. Some of the negative characteristics may be walking with the hind legs, dragging the rear toes as it jogs or taking an uneven length of stride with the front and rear legs.
- 4) **Correct or Average Jog:** This is a horse with a two beat diagonal gait in which the left front and right hind foot touch the ground simultaneously and the right front and left hind do so also. It has a level top line and a relaxed appearance while being shown with light contact and appears to guide well. This is the standard or average jog.
- 5) **Good Jog:** Is a horse with an average motion but exhibits positive characteristics in its performance. Some of these positive characteristics may be balance and self-carriage while taking the same length of stride with the front and rear legs.
- 6) **Very Good Jog:** Is a horse that appears very comfortable to ride, always has a consistent two beat gait, is guiding well, and has a relaxed and level top line. It may let his hocks drift back into its tail from time to time, or bends its knee a little, but is obviously soft on the ground.
- 7) **Excellent Jog:** This is a horse whose motions seem effortless and very efficient. It swings its legs, yet touches the ground very softly. The horse is confident, yet still soft in its motion. It is balanced and under control. It is flat with its knee and hock and has some cushion in its pastern. Its expression is bright and alert and exhibits more lift and self-carriage than the "very good jog".

C) THE MODERATE EXTENDED JOG:

- 1) **Poor Extended Jog:** This horse never appears to lengthen its stride but just jogs faster. It may also appear to be jarring and rough to ride.
- 2) **Average Extended Jog:** Is a horse who when asked to extend, moves up in its pace and still appears smooth to sit on.
- 3) **Good Extended Jog:** Is a horse who when asked to extend has an obvious lengthening in its stride with a slight increase in its pace making him more versatile. This horse is still smooth but appears to have more length with less effort being exerted.

D) THE LOPE:

1) Extremely Poor Lope: This is a horse that does not have a true three beat gait. It has no flow, no rhythm or balance, appears out of sync, and is obviously not comfortable to ride.

2) Very Poor Lope: Is a horse that may appear to have a three beat gait but has no lift or self-carriage. This horse shuffles, has no flow, and bobs its head, giving the appearance of exerting a great deal of effort to perform the gait. It also does not appear comfortable to ride.

3) Poor Lope: Is a horse with an average motion but exhibits negative characteristics in his performance. Some of these negative characteristics may be head bobbing, not completing the stride with the front leg and leaving the outside hock well behind the horse's buttocks. An over-canted horse generally displays these negative characteristics.

4) Correct or Average Lope: This is a horse that has a true three beat gait, with a level top line and very little head and neck motion. The horse has a comfortable motion and is relatively straight. It glides well and has a relaxed appearance. This is the standard or average lope.

5) Good Lope: Is a horse with an average motion but exhibits positive characteristics in its performance. Some of these positive characteristics may be balance and self-carriage, a steady top-line, responsiveness to the rider's aids and a relaxed appearance.

6) Very Good Lope: This is a horse that appears to have more lift and flow than the average horse. It also has a strong but smooth drive from behind. It may bend its knee a little, or allow its off lead hind leg or drive leg to fall behind into its tail, yet it still has a level top-line, exhibits self-carriage with a relaxed appearance and appears comfortable to ride.

7) Excellent Lope: This horse rounds its back and has a strong deep stride and a flat swing with its front legs. The horse swings its legs correct and long yet seems to do it effortlessly. It keeps a very level top-line; its hocks don't drift behind into its tail. This horse has a relaxed yet alert and confident appearance. This is a very special horse that is correct, yet soft. This horse has a great degree of lift and self-carriage.

E) THE TOP-LINE:

1) Poor Top-Line: The horse's head may be too high or too low. If the horse's head is consistently higher than its eye level with its withers, its back becomes hollow and it loses its drive from behind. When its head is consistently lower than its ear level with its wither, it becomes heavy on its forehead and has no lift or flow. In both cases the horse loses its self-carriage and appears to struggle.

2) Average Top-Line: A horse who generally displays a level top-line with the tip of the ear level with the wither at the lowest point or its eye level with the wither at the highest point but is inconsistent with its head carriage.

3) Good Top-Line: This horse will display a level top line with the tip of the ear level with the wither at the lowest point or its eye level with the wither at the highest point. It also displays a consistent top-line that exhibits self-carriage.

F) THE BACK UP:

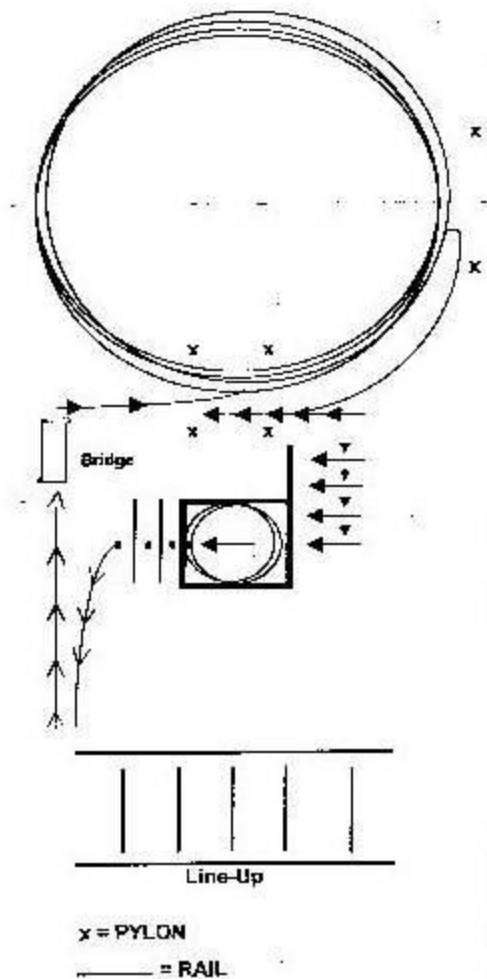
1) Poor Back Up: This horse appears resistant or heavy in front. It may gap its mouth, throw its head or back crooked.

2) Average or Correct Back Up: This horse should back straight at least one horse length quietly. This should be done smoothly with light contact and without hesitation.

3) Good Back Up: This horse will display balanced and smooth flowing movements, self-carriage, and look to be a pleasure to ride. The horse should back straight at least one horse length quietly and without gapping its mouth. This should be done smoothly with light contact and without hesitation.

G) Horses must be sound of limb.

3. **PATTERN DIVISION** – will consist of an individual pattern of work, designed to show how well broke the horse is. Emphasis is to be placed on the execution of the pattern with regard to the correctness of the maneuver and overall smoothness of the pattern. Horses will be asked to demonstrate leads and lead departures, circles, simple lead changes, soft stops, back and turn on the haunches. Maneuvers to be judged at the two year old level.



Pattern Explanation:

1. Walk out of line-up to the bridge, walk over and continue to the center of the arena.
2. Lope 2 ¼ circles to the left. First circle slow and the second circle faster, demonstrating horse's ability to increase speed.
3. Stop between the pylons at the wall and roll back or turn 180 degrees to the right.
4. Lope 2 ¼ turns to the right. First circle slow and the second circle faster, demonstrating horse's ability to increase speed.
5. Stop at center and back up past the rail.
6. Sidepass to the left, length of rail, step into square, hesitate.
7. 360 to the right.
8. 360 to the left, hesitate.
9. Step through rails.
10. Jog back to line-up.

Scoring guide: The pattern class will be judged using scribes to mark the scores. **Maneuvers to score from 0-10.**

Poor 0 - 2 ½ ; Fair 2 ½ - 5; Good 5 - 7 ½; Excellent 7 ½ - 10.

Penalties to be given for the following:

- 5 point penalty – refusal, bucking, kicking, rearing
- 10-point penalty – blatant disobedience, going off pattern
- Dismissal – excessive abuse, horse or rider falling to the ground

GENERAL SCORING RULES

1. Futurity will consist of two go-rounds, evaluated by two judges in each round, total of four judges.
2. All judges' scores will be used.
3. The winner of the Futurity will be the horse receiving the most points overall from the three divisions in the two go-rounds.
4. Horses placing in the top ten in each class will be given one point plus an additional point for each horse placing below him, not to exceed 10 points for first place. Points are calculated through ten placings only.
EXAMPLE – If 10 in class – 1st place horse gets 10 points, 2nd place horse – 9 points, etc. In a class of 7 horses – 1st place horse gets 7 points, 2nd place horse gets 6 points and so on.
5. In the case of any ties, points will be equally split.
6. **All horses must complete all divisions, both days, in order to be eligible for the purse. Excusing a horse from the arena prior to completion of the class or pattern, whether by judge, show committee or rider, will disqualify the horse from any and all awards.**
7. Random tack checks may take place at any and multiple times by the ring steward.
8. The same contestants must exhibit or compete in both go-rounds and all divisions - one horse, one rider. Futurity order of divisions will be the same for both go-rounds: Conformation, Rail and Pattern.

Conduct

Conduct on show grounds of members and non-members, exhibitors, trainers, owners, and their representatives, together with all other persons being present on show grounds such as spectators, shall be orderly responsible, sportsmanlike and humane in the treatment of horses such as to promote the implementation of the show and promote fair, competition.

Unsportsmanlike or irresponsible conduct or any other form of misconduct, such as illegal, indecent, or profane, and the inhumane treatment of horses is prohibited. Show management may immediately expel offenders from show grounds and/or disqualify exhibitors and their horses in order to preserve the decorum of the show and shall file a written report with the Dakota 50/50 concerning the transaction.

Equipment

1. All horses are to be shown in standard headstall (brow band, shaped or split ear).
2. All horses to be shown in Western Equipment and attire.
3. All horses are to be shown in a bosal or snaffle bit that meets **NSBA Rules**. 5/16" bit measurement with a ring size of not less than 2 inches and no more than 4 inches.
4. All equipment and bits will be checked by an equipment judge.
5. **Training devices (anything other than the legal snaffle-bit or bosal as stated in the above Rule #3) are prohibited in the show arena and designated warm-up arena at all times.**
6. All tacking to take place at horse's stall. Random tack checks may take place at any and multiple times by the ring steward.
7. Split or tied reins may be used, however all horses are to be shown with both hands on the reins.
8. Horses with false or deadened tails, or illegal or inhumane equipment in the show arena will be eliminated from competition. **Hair to hair extensions are not permitted** in the Dakota 50/50 Futurity. Every horse in the 50/50 futurity must have a natural tail function. Any horse believed not to have a natural tail function will be inspected by the attending veterinarian. If it is determined that the horse does not have a natural tail function it will be excluded from the 50/50 futurity competition.
9. Horses and equipment are subject to examination by the Steward, Show Management and/or Judges in the show arena and designated warm-up arenas at all times.

ILLEGAL PRACTICES

1. All horses entered in Dakota 50/50 events are subject to drug testing. Drug testing of the horses entered in Dakota 50/50 approved events will be conducted by a licensed veterinarian(s), approved by the Dakota 50/50, at the request of show management or Dakota 50/50. Said veterinarian(s) may appoint a technician(s) to perform certain duties under this article.
 - a. A veterinary station will be set aside for the collection of samples.
 - b. Each owner, exhibitor, trainer and agent is responsible for compliance with these rules.
2. No person shall cause to be administered internally or externally, to a horse, either before or during an approved event, any medication, drug, mechanical device or artificial appliance which is of such character as could affect its performance or appearance at that event, EXCEPT FOR THOSE CONDITIONALLY PERMITTED THERAPEUTIC MEDICATIONS, THE USE OF WHICH IS SPECIFICALLY PROVIDED FOR IN THE THERAPEUTIC MEDICATION SUBSECTION OF THIS RULE AND NOT OTHERWISE PROHIBITED BY GOVERNMENTAL REGULATIONS. Upon discovery of administration of such drug, medication, mechanical device or artificial appliance, show management shall immediately report the matter to the Dakota 50/50.

Any action or substance administered internally or externally, whether drugs or otherwise, which may interfere with the testing procedure and/or detection of any foreign substance to mask or screen the presence of such drug, is forbidden.

3.
 - a. Presence of such medication or drug in a horse participating in a Dakota 50/50-approved event shall be grounds for the Executive Committee or other appropriate committee to disqualify the horse if it is determined that the use of said drug or medication was not within the guidelines set in the Therapeutic Medication section of this rule.
 - b. It is presumed that the sample of urine, saliva, blood or other substance tested by the approved laboratory to which it is sent is the one taken from the horse in question, and its integrity is preserved. All procedure of such collection and preservation, transfer to the laboratory, and analysis of the sample are correct and accurate, and that the report received from the laboratory pertains to the sample taken from the horse in question. It correctly reflects the condition of the horse during the event in which he/she was entered, with the burden on the exhibitor or other responsible party to prove otherwise at any hearing in regard to the matter, conducted by the Dakota 50/50.
 - c. Presence of such medication or drug in a horse participating in a Dakota 50/50-approved event shall be grounds for the appropriate committee of the Association to take the following action: The horse and the individual(s) responsible for the condition of the horse shall forfeit any points, prizes and/or earnings earned at the Dakota 50/50 event.

The above-specified individuals are absolutely responsible for a horse's condition, and are presumed to know all rules and regulations of the Association and the penalty provisions of said rules. Their voluntary action in presenting or causing the horse to be presented at show grounds for exhibition, entering a horse or exhibiting one in an approved event, and their absolute responsibility for the condition of the horse, may make them eligible for disciplinary sanctions, whether or not they had actual knowledge of the presence of a forbidden drug, directly participated in the administration thereof, innocently miscalculated its retention time in the horse's system, or for any other reason that its presence is established.

An individual is absolutely responsible for a horse's condition if:

- 1) She/he designates him/herself on the entry blank as exhibitor, or authorizes another to designate him/her as exhibitor on the entry blank;
- 2) She/he signs the entry blank on behalf of him/herself or another, or causes an agent or representative to sign it;
- 3) She/he physically participates in the event in riding or showing the horse; or
- 4) She/he is the actual trainer, having presented or caused to be presented the horse at the show grounds for exhibition. Both the exhibitor designated on the entry blank and one having actual possession of the horse while physically participating with the horse in the event are conclusively presumed to be authorized by the owner to execute all documents, necessary or convenient, to allow the horse's participation in a Dakota 50/50-approved event, including documents pertaining to drug testing and use of Lasix. If an individual is prevented from performing his/her duties, including absolute responsibility for the condition of the horse, by illness or otherwise, or is absent from the

show, he/she shall immediately notify the show secretary and, at the same time, appoint a substitute. Such substitute shall place his/her name on the entry blank forthwith. The exhibitor and owner acknowledge an exhibitor represents the owner in regard to his/her horses entered in an approved show.

- d. The trainer/exhibitor or his/her representative, must be present when the saliva, urine, or other specimen is taken from his/her horse, and must remain until the specimen is sealed and the official form signed by him, or his representative, as witness to the taking of the specimen.
- e. Every exhibitor shall, upon request of show management or representative or Dakota 50/50 representative, permit a specimen of urine, saliva, blood or other substance to be taken for testing. Refusal to comply with such request shall constitute grounds for immediate disqualification of the horse. If the laboratory report on the chemical analysis of saliva, urine, blood or other substance taken from the horse indicates the presence of a forbidden drug or medication, this shall be taken as prima facie evidence that such substance has been administered to the horse either internally or externally. Failure on the part of the owner, trainer/representative/exhibitor, to be present at, or refusal to allow the taking of any specimen, or any act or threat to prevent or otherwise interfere therewith, shall be cause for disqualification of the horse involved.

THERAPEUTIC MEDICATIONS (Does not apply if prohibited by governmental regulations)

- f. EXHIBITORS, OWNERS, TRAINERS AND VETERINARIANS ARE CAUTIONED AGAINST THE USE OF MEDICINAL PREPARATIONS, TONICS, PASTES AND PRODUCTS OF ANY KIND, THE INGREDIENTS AND QUANTITATIVE ANALYSIS OF WHICH ARE NOT SPECIFICALLY KNOWN. MANY OF THEM MAY CONTAIN A FORBIDDEN SUBSTANCE.
 - i. Forbidden Drugs or substances:
 - 1. Any drug or substance considered a Class 1 or Class II substance as defined in the *ARCI's Uniform Classification guidelines for Foreign Substances*, Revised Edition, February 14, 1995.
 - 2. Any stimulant, depressant, tranquilizer or sedative, which could affect the performance of a horse (stimulants and depressants are defined as substances which stimulate or depress the cardiovascular, respiratory or central nervous systems.)
 - 3. Any substance, regardless of how harmless or innocuous it might be, which might interfere with the detection or quantitation of any substance defined in (1), (2) or (3).
 - ii. Conditionally permitted therapeutic medication
 - 1. Any drug, medication or substance, which could affect the performance of a horse that is used for the legitimate treatment of illness or injury and is not specified as a forbidden substance as defined in paragraph i(1) above.

HOWEVER, THESE DRUGS OR SUBSTANCES ARE FORBIDDEN AND USE THEREOF SUBJECTS THE PERSON TO DISCIPLINARY ACTION, UNLESS ALL CONDITIONS OF THEIR ADMINISTRATION ARE MET.

Each of the following requirements is a condition to authorize administration of conditionally permitted therapeutic medications, which shall be verified in a written medication report, in a form acceptable to the Dakota 50/50 and available from Dakota 50/50 show management. It will be completed in its' entirety, and filed with show management before exhibition of the horse (See 3-11).

2. Administration by a veterinarian who is licensed to practice veterinary medicine in the state where the event is being held or from a written prescription (written instruction) by a licensed veterinarian, which documents administration of medication necessary for the treatment of illness or injury. The administration of a conditionally permitted therapeutic medication for the purpose of transport, grooming, training, etc. is not therapeutic under this authorization rule.
 3. The horse must be withdrawn and kept out of competition for not less than 24 hours after the medication is administered.
 4. Identification of the medication: (name, amount, strength, and mode of administration.)
 5. Date and time of administration.
 6. Identification of the horse: name, age, color, sex and entry number.
 7. Diagnosis of illness/injury, reason for administration, and name of administering and/or prescribing veterinarian.
 8. Signature of veterinarian or person administering the medication. If by prescription (written instructions) a copy must be attached to medication report.
 9. The medication report form must be filed with show management within one hour after administration of the medication or one hour after show management is available, if administration occurs at a time other than during competition hours.
 10. While this report must be filed only if the administered medication will be present in amounts detectable in blood and/or urine samples at the time of competition/sampling, exhibitors are hereby cautioned that it is their responsibility to determine whether or not such medication has had time to clear the horses' system. IF THERE IS ANY DOUBT, A MEDICATION REPORT SHOULD BE FILED.
- iii. Restrictions concerning use of a conditionally permitted medications that may be administered within 24 hours of showing:
1. Only the ten (10) drugs or medications listed below may be administered within 24 hours of showing and should be administered in accordance with the recommendation following each to best assure compliance with maximum allowable plasma levels.
 - a. Phenylbutazone – The maximum permitted plasma concentration of phenylbutazone is 15.0 micrograms per milliliter, and the maximum permitted trace level is 2.0 micrograms per milliliter. When phenylbutazone is administered, the dose should be accurately calculated according to the actual weight of the animal. Each 24 hours, not more than 2.0 milligrams per pound of body

weight should be administered. For a 1000-pound animal, the maximum daily dose is 2.0 grams, which equals two 1.0-gram tablets, or two 1.0 gram units of paste, or 10.0 cc of the injectable (200 milligrams per milliliter). No part of a dose should be administered during the twelve (12) hours prior to competing. If the medication is administered in the feed, the medicated feed must be consumed and/or removed at least twelve (12) hours prior to competing. The medication should not be used for more than five consecutive days.

- b. **Flunixin** – The maximum permitted plasma concentration of Flunixin is 1.0 microgram per milliliter, and the maximum permitted trace level is 0.2 micrograms per milliliter. When Flunixin Meglumine (Banamine) is administered, the dose should be accurately calculated according to the actual weight of the animal. Each 24 hours, not more than 0.5 milligrams per pound of body weight should be administered. For a 1000-pound animal, the maximum daily dose is 500 milligrams, which equals two 250 milligram packets of granules, or one 500 milligram packet of granules, or 500 milligrams of the oral paste (available in 1500 milligram dose syringes), or 10.0 cc of the injectable (50 milligrams per milliliter). No part of a dose should be administered during the twelve (12) hours prior to competing. Any medicated feed must be consumed and/or removed at least twelve (12) hours prior to competing. The medication should not be used for more than five successive days.
- c. **Ketoprofen** - The maximum permitted plasma concentration of ketoprofen is 40.0 nanograms per milliliter, and the maximum permitted trace level is 10.0 nanograms per milliliter. When Ketoprofen (Ketofen) is administered, the dose should be accurately calculated according to the actual weight of the animal. Each 24 hours, not more than 1.0 milligram per pound of body weight should be administered. For a 1000 pound animal, the maximum daily dose is 1.0 gram, which equals 10.0 cc of the injectable (100 milligrams per milliliter). No part of a dose should be administered during the twelve (12) hours prior to competing. The medication should not be used more than five successive days.
- d. **Meclofenamic Acid** - The maximum permitted plasma concentration of Meclofenamic Acid (Arquel) is 1.0 micrograms per milliliter, and the maximum permitted trace level is 0.1 micrograms per milliliter. When Meclofenamic Acid is administered, the dose should be accurately calculated according to the actual weight of the animal. Each 24 hours, not more than 1.0 milligram per pound of bodyweight should be administered. For a 1000-pound animal, the maximum daily dose is 1.0 gram, which equals two 500 milligram packets of granules. No part of a

- dose should be administered during the twelve (12) hours prior to competing. Any medicated feed should be consumed and/or removed at least twelve (12) hours prior to competing. The medication should not be used for more than five successive days.
- e. **Naproxen** - The maximum permitted plasma concentration of Naproxen is 40.0 micrograms per milliliter, and the maximum permitted trace level is 2.0 micrograms per milliliter. When Naproxen is administered, the dose should be accurately calculated according to the actual weight of the animal. Each 24 hours, not more than 4.0 milligrams per pound of body weight should be administered. For a 1000-pound animal, the maximum daily dose is 4.0 grams, which equals eight (8) 500 milligram tablets. No part of a dose should be administered during the twelve (12) hours prior to competing. Any medicated feed should be consumed and/or removed at least twelve (12) hours prior to competing. The medication should not be used for more than five successive days.
 - f. **Acetazolamide** - may only be administered to horses documented through DNA testing to be positive (N/H or H/H) for HYPP (Hyperkalemic Periodic Paralysis). When Acetazolamide is administered, the dose should be accurately calculated according to the actual weight of the animal. Each 24 hours, not more than 3 milligrams per pound of body weight should be administered. For a 1000-pound animal, the maximum daily dose is 3 grams.
 - g. **Furosemide or Lasix** - when used, must be administered intravenously at least 4 hours prior to competition.
 - h. **Lidocaine/Mepivacaine** - when administered within 24 hours of showing, may only be used under actual observation of event management (or their designated representative) and/or the official show veterinarian, either of which must sign the medication report form, to aid in the surgical repair of minor skin lacerations, which, by their very nature, would not prevent the horse from competing following surgery. Medication report form must be filed with show management as required in Section 2 above.
 - i. **Isoxsuprine** - when administered, the dose should be accurately calculated according to the actual weight of the animal. Each 24 hours, not more than 1.6 milligrams per pound of body weight should be administered (usually divided in two equal doses given 12 hours apart.) For a 1000-pound animal, the maximum daily dose is 1600 milligrams, which equals eighty (80) twenty (20) milligram tablets. No part of a dose should be administered during the four (4) hours prior to competing. Any medicated feed should be consumed and/or removed at least four (4) hours prior to competing.
 - j. **Diclofenac (Surpass)** - The maximum permitted plasma concentration of Diclofenac is 0.005 micrograms per

milliliter. Every 12 hours, not more than 73 mg of diclofenac liposomal cream should be administered (not more than 146 mg per 24 hour period) to one affected site. This 73 mg dose equals a 5-inch ribbon of cream not greater than 1/2 inch in width, which should be rubbed thoroughly into the hair over the joint or affected site using gloved hands. Administration of diclofenac cream should be discontinued 12 hours prior to competing. Do not apply diclofenac cream in combination with any other topical preparations including DMSO, nitrofurazone, or liniments and do not use on an open wound. Diclofenac cream should not be administered for more than 10 successive days.

2. If more than one non-steroidal anti-inflammatory drug substance (NSAID) is present in the same plasma or urine sample, no more than one is to be present in a concentration which exceeds trace levels.
3. If two of the non-steroidal anti-inflammatory drugs listed above are administered at any time during the seven days prior to competing, one of them should not be administered during the 48 hours prior to competing, in order to avoid exceeding the maximum permitted trace level when two are present in the plasma.
4. If any third non-steroidal anti-inflammatory drug is administered, it should not be administered during the seven days prior to competing. (Exception:) Dipyron, a "masking" substance, is not to be administered during the 24 hours prior to competing. In the event a non-steroidal anti-inflammatory drug is administered in a manner that might cause the plasma concentration to exceed the quantitative restrictions of the rule (in the case of those permitted to be used) or might cause the drug to be detected at any level in plasma or urine (in the case of those not permitted to be used) the trainer and owner should withdraw the horse from competition. The animal should be withheld from competition until the plasma concentration of any permitted drug returns to acceptable levels and/or until any nonsteroidal anti-inflammatory drug not permitted by the rules is no longer present in the blood or urine. In the event Dipyron is administered to a horse, the trainer and owner must comply with all of the requirements of section (ii) of this addendum.
5. Each of the ten (10) medications allowed in section (1) above must be administered in accordance with the recommendations as given for each. Should the testing laboratory report the presence of one of these drugs in an amount greater than that which would be consistent with the recommendations or at a level higher than the maximum permitted plasma concentration for those listed in section 3(A)(1-3), the matter will be reviewed and disciplinary action may be taken.
6. Burden of persuasion to establish correct dosage and time limitation rests with the responsible person.
 - a. Additionally, as drugs or substances described in subparagraphs (i)(2) and (3) above, in order to avoid

disqualification by detection of a presence in the horses' system, the medication must be administered or prescribed (letter of instruction) by a veterinarian, for the legitimate treatment of illness or injury, and administered at least 24 hours before exhibition. Should the testing laboratory report the presence of these drugs in an amount greater than that which would be consistent with the specified dosage and/or time constraint or dosage for legitimate treatment of illness or injury, the laboratory test result will be reviewed and disciplinary action may be taken.

- b. Laboratory detection of an excessive dosage of an otherwise conditionally permitted therapeutic drug or drugs specified in subparagraphs (1)(B) and (C) above shall constitute presumption of a violation of this rule, and the responsible party has the burden of persuasion to establish that the dosage was administered within rule specifications.
 - c. To avoid this rule violation presumption and the stringent responsibilities of this rule, the responsible party may decide to simply withdraw the horse.
 - d. The above guidelines are not considered as authorization administration of medication to any horse in any quantity and shall not be deemed to modify this rule in any manner regarding maximum allowable concentrations. These guidelines do not guarantee compliance with this rule **but are offered to assist responsible parties in complying with the requirements of this rule.** Responsible parties are advised to consult a knowledgeable veterinarian. Reliance upon these guidelines will not serve as a defense to a charge of violation of Dakota 50/50 rules regarding administration of forbidden substance.
- iv. Notwithstanding the general prohibition of this rule against artificial appliances, the use of a pacemaker or prosthetic eye may be permitted if the owner files written request for permission and submits documentation as requested. Request will then be submitted to Dakota 50/50's Executive Committee for consideration, after which, if the request is approved, such authorization will be noted on the horse's show record at the Dakota 50/50 Office.

INHUMANE TREATMENT

1. Every horse at a Dakota 50/50 approved event shall, at all times, be treated humanely and with dignity, respect and compassion. Abuse is defined as an action, or failure to act, which a reasonable, prudent person, informed and experienced in the customs, accepted training techniques and exhibition procedures, or veterinary standards would determine to be cruel, abusive, inhumane or detrimental to the horses' health. Individuals will be disciplined if it is determined that there was willful abuse of the horse under any of the following circumstances:

- a) The individual physically participates in the abuse of the animal or shows or rides the horse in a condition considered to be abusive.
- b) No persons shall exhibit any horse, which appears sullen, dull, lethargic, emaciated, drawn or overly tired.
- c) No person on show grounds, including but not limited

to, barns, stalls, practice area and show arena, may treat a horse in an inhumane manner, which includes, but is not limited to:

- i. Placing an object in a horse's mouth so as to cause undue discomfort or distress;
- ii. Tying a horse in a manner as to cause undue discomfort or distress in a stall, trailer or when longeing or riding;
- iii. Use of inhumane training techniques or methods;
- iv. Use of inhumane equipment, including, but not limited to, saw tooth bits, hock hobbles, tack collars or tack hackamores;
- v. Any item or appliance that restricts movement or circulation of the tail;
- vi. Intentional inhumane treatment which results in bleeding.

2. Penalties for a violation of the abuse rules are as follows:
 - a. First offense: Disqualification.
 - b. If a pattern of abuse is identified by an appropriate committee, the Dakota 50/50 retains the right to ban the owner, exhibitor or responsible party from participation in future events.

EXHIBITORS

Exhibitors may be changed after the entry has been submitted as long as the Futurity Management is informed of the change. However, the horse must be shown in all divisions by the same exhibitor.

OWNERSHIP

Should any horse change ownership after the 50/50 weanling Sale but before the Futurity, that horse retains its eligibility for the Futurity if, **AND ONLY IF**, the Futurity Management has been notified by said horses' current owner. The current owner must provide notification of ownership to the management. All monies will go to the current owner of the entry as posted on the current registration certificate.

PROTEST

A protest must be made **IN WRITING** to the President within 6 hours of the time of the issue of the protest. No protest will be entertained unless it is accompanied by a deposit of \$200.00 cash, which shall be forfeited if protest is not sustained.

FEES AND GUARANTEES

Horses properly entered are considered paid up into the Futurity with the exception of a \$150.00 which includes the office, stall, judges and drug test fees payable by August 1st, 2008. A \$50.00 late fee will be charged on entries received after August 1, 2008.

ALL CHECKS TO BE MADE PAYABLE TO THE DAKOTA 50/50 FUTURITY AND SALE.

PRIZE MONEY

- 1. All prize money and awards will be distributed by mail or delivery when drug test results have cleared, or at discretion of the show committee.**
2. Anyone winning \$600 or greater must provide their Social Security # to the 50/50 for tax purposes, prior to receipt of payment. A space will be provided on the entry form.
3. Top 10 horses will be escorted from the arena by members of the show committee to the veterinary station for drug testing by blood draw.
4. Prize money will be paid to the top ten in the Futurity
5. Money will be split in case of a tie.
6. In the event of a **tie for an award** (not prize money) the Dakota 50/50 will pick up the cost of obtaining a duplicate award. The tied entrants will each receive an award.
7. Member/Consignor award prize money to be paid to the Breeders of the 1st, 2nd, and 3rd place horses.
- 8. All Futurity entries to remain in arena following the show, dressed in show attire with horses tacked during the awards ceremony and mounted. Presentations and pictures will take place in main arena immediately following the show.**

2010 Prize money distribution:

Total Payout: 21,400.00

1st Place (40%)	\$5992.00
2nd (17%)	\$3638.00
3rd (14%)	\$2996.00
4th (11%)	\$2354.00
5th (9%)	\$1926.00
6th (7%)	\$1498.00
7th (5%)	\$1070.00
8th (4%)	\$856.00
9th (3%)	\$642.00
10th (2%)	<u>\$428.00</u>
	\$21,400.00

Breeders Incentive (5%): \$2675.00

1st (50%)	\$2675.00
2nd (30%)	\$1337.50
3rd (20%)	<u>\$802.50</u>
	\$2675.00

These are unofficial award totals and must be confirmed by the Dakota 50/50 Treasurer.

Other awards or incentives may be presented for individual divisions or other basis. Funding for these awards will be from other sponsorship and will not affect the cash purse.

Additional Awards:

Amateur Award: A trophy **Saddle** to be presented to top amateur rider, regardless of placing in the overall futurity; sponsored by Gustafson Oil, Rolla, ND. To be eligible for the amateur award the rider must be riding a horse they own, or owned by an immediate family member (father, mother, sister, brother) and must carry an amateur card from the respective breed association of the entered horse.

Youth Award: A trophy **Buckle** will be presented to top youth rider (18 years of age or younger by January 1, 20010); sponsored by Alkali Ranch, Deloraine, Manitoba and Clay Ranch, Cartwright, Manitoba.

Non-Youth, Non Amateur Rider: A trophy award will be presented to the top rider not entered in the Amateur or Youth divisions; sponsored by BCMG Ranch, St. John, ND.

Division Awards: Top horse in each division will be presented with an award.

Sportsmanship Award: An award will be presented to the person displaying the best sportsmanship throughout the futurity as voted on by their peers.

RIGHTS RESERVED BY THE 50/50 FUTURITY MANAGEMENT AND BOARD OF DIRECTORS OF THE DAKOTA 50/50 SALE AND FUTURITY.

Management Reserves the right to:

1. Reject any entry not believed to match the sale entry.
2. Inspect all horses and match them to the registration papers on file from the weanling sale.
3. Decide any point not covered by the rules and to correct any errors or make any necessary alterations as it sees fit.
4. Change date and locations of the Dakota 50/50 Sale and Futurity.
- 5. Test any Futurity entry for illegal or controlled substance, according to Dakota 50/50 rules. See section on illegal practices, p. 5.**
6. Hold another 50/50 Sale (Spring) of yearlings and 2 year olds making them eligible for the Futurity.

FOR ADDITIONAL INFORMATION CONTACT:

Nikki Medalen
7049 Willow Road
Towner, ND 58788
701-537-5548
nikki@medalenranch.com

Officers for 2009:

President:	Nikki Medalen	701-537-5548
Vice President:	Bill Cook	701-843-7156
Secretary:	Vonda Horner	701-223-7201
Treasurer:	Darrel Gustufson	701-477-5434